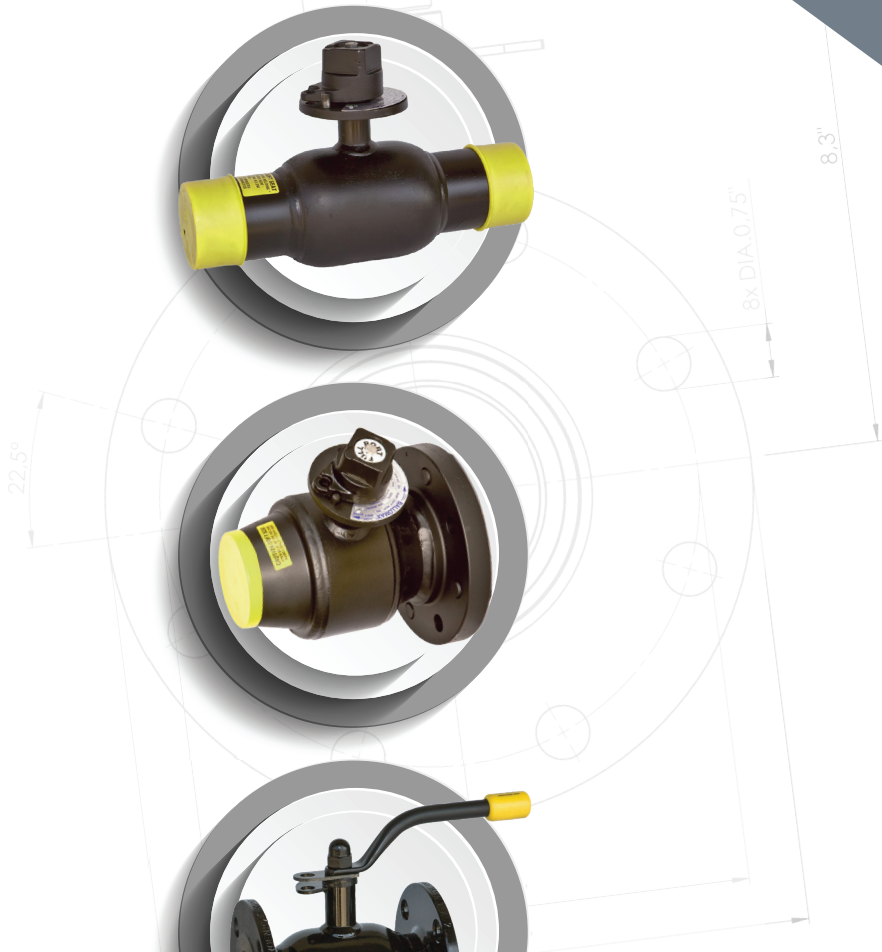


BROEN

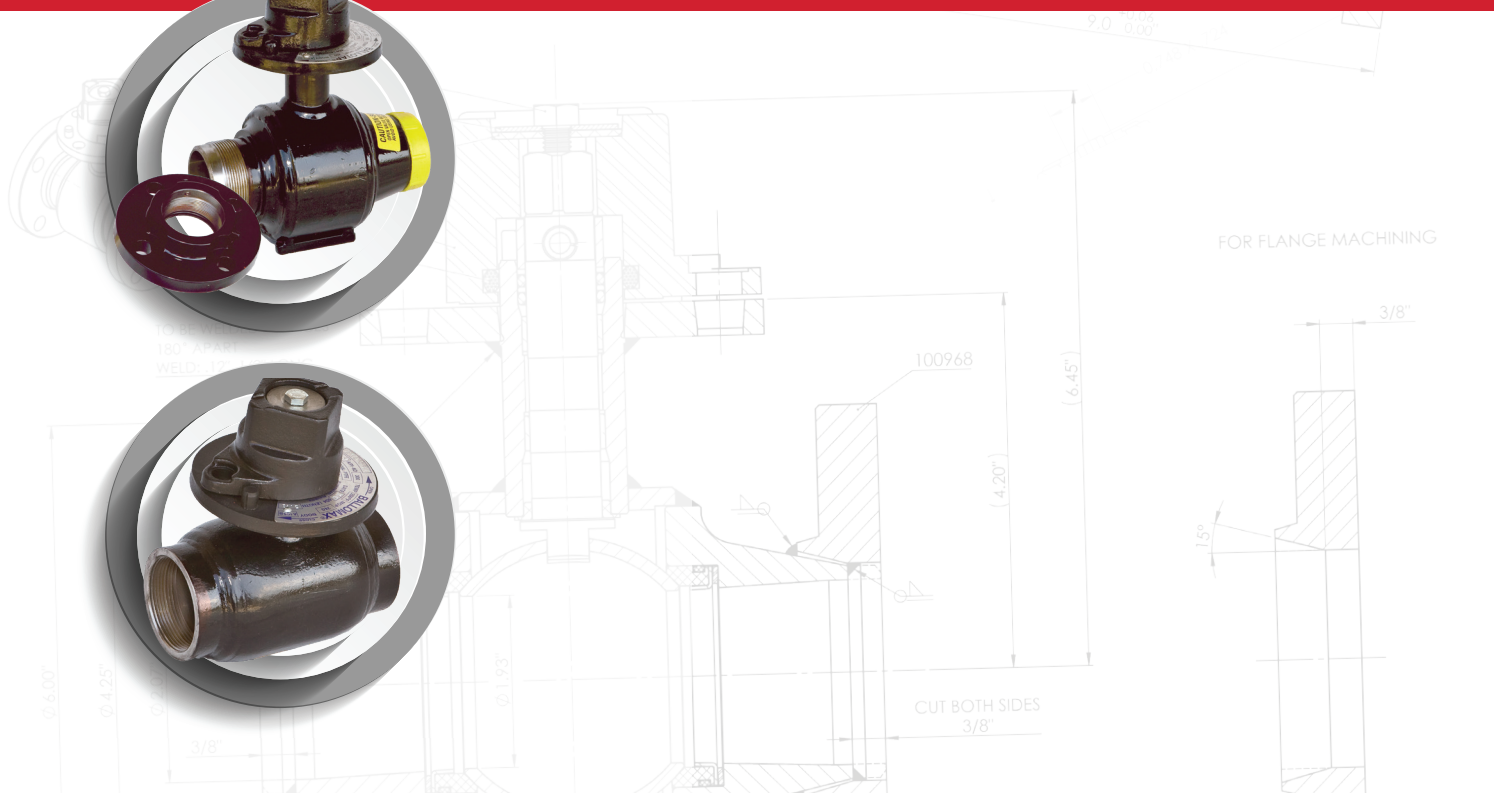
VALVE TECHNOLOGIES



BALLOMAX[®]

DESIGNED TO LAST

FLOATING BALL VALVES





BROEN is part of the stock listed company Aalberts N.V. Since the inception in 1975, Aalberts is where technology matters and real progress can be made - humanly, financially and environmentally. At Aalberts, we create mission-critical technologies for ground-breaking industries and everyday life. Technologies that enhance our clients' businesses and keep our planet in good shape.

WHO WE ARE

Large and small, high or low pressure, BROEN always has the valve you need.

Founded in 1948 by Denmark's Poul **BROEN**, **BROEN** today is a global valve manufacturing group of companies. For more than 70 years, **BROEN** has been the leader in the development and production of valve technology for water, air and gas. Our goal is to build long-lasting and trust-based partnerships with our valued Customers, through the local presence of our companies and our capillary sales and service network.

BROEN employs more than 600 employees in five manufacturing facilities worldwide, producing more than three million valves per year.

ISO 9001 certified since 2001, **BROEN** is committed to ensuring our Customers receive high-quality products that exceed expectations.

BROEN has a strong focus on innovation, continuously improving our product range to offer state-of-the-art solutions and technologies, including **BROEN BALLOMAX**®, the industries' best ball valves for natural gas service.

The **BROEN BALLOMAX** Valves



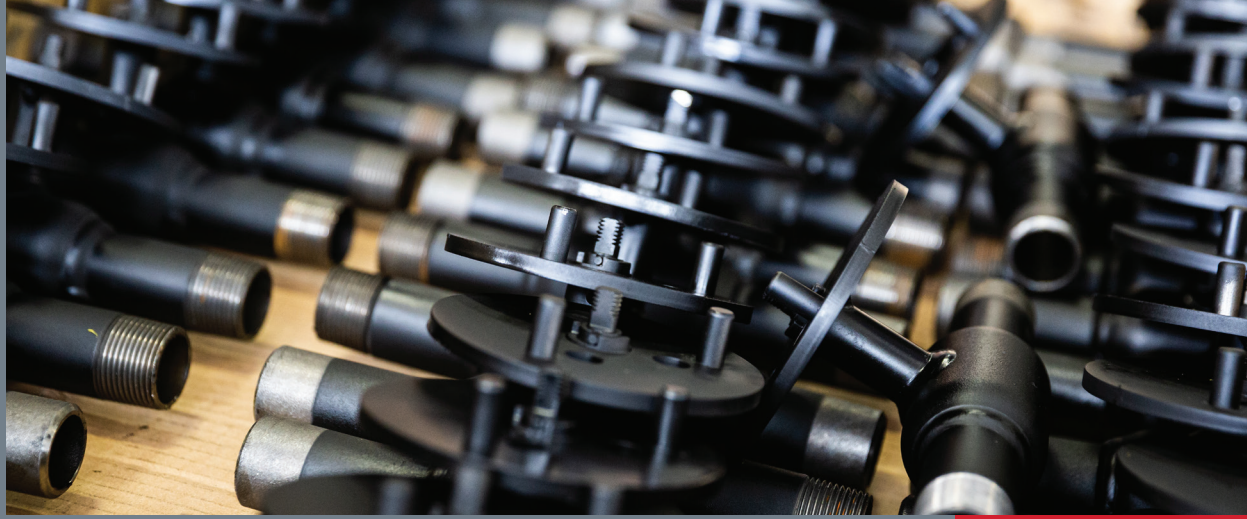
Floating ball valves



Trunnion and API-6D monogrammed ball valves



Polyethylene (PE) valves



FLOATING BALL VALVES

BROEN BALLMAX®, floating ball valves are designed specifically for natural gas distribution systems.

BROEN BALLMAX® floating ball valves are the best choice when it comes to steel ball valves for natural gas distribution systems.

All our floating ball valves feature an all-welded body with no potential leak path. Our valves are long lasting and maintenance-free.

BROEN offers virtually endless configurations and customizations to meet all your needs:

- Pressure rating (MOP): 285 PSI, 500 PSI, 740 PSI
- Port size: Regular and Full port
- Ball type: Concave and Straight
- End connections: any option. Weld ends are A106 Gr. B. Flanges are ANSI B16.5 A105 Gr. B.
- Operators: all operators available. Valve actuators and gear operators are also available.

Standard ball and stem are stainless steel.

Maximum safety is granted by the anti-blow out stem design. Moreover, all valves are equipped with “safety grounded stem” that removes any risk of static build up and resulting arc.

The sealing is granted by carbon filled PTFE seats for zero-leakage. To prevent stem leaks all valves are supplied with a redundant stem sealing system.

Each valve features a unique serial number permanently stamped on the nameplate, allowing for full traceability.

Valves can accommodate a standard barrel lock or standard pad locks.

All valves are hydrostatically tested per API-6D: shell test and seat test. Additional low-pressure air test is performed to ensure tight sealing performance. Other tests available at Customer’s request. Test certificates are available for each valve.

Valves are equipped with POWERSTOPS™ preventing valve over-torque.

Valves 2” to 8” are tested per API 641 for fugitive emissions.

THREE DIFFERENT STYLES:

- **Pipeline style:** the **BROEN** best-seller with endless configurations to fit most requirements.
- **Premium style:** high-end valve made with extra-strong forged components. Short-pattern design is ideal for metering and regulating stations.
- **Utility style:** Cost-effective short pattern flanged end ball valve. Ideal to replace plug and iron body valves.

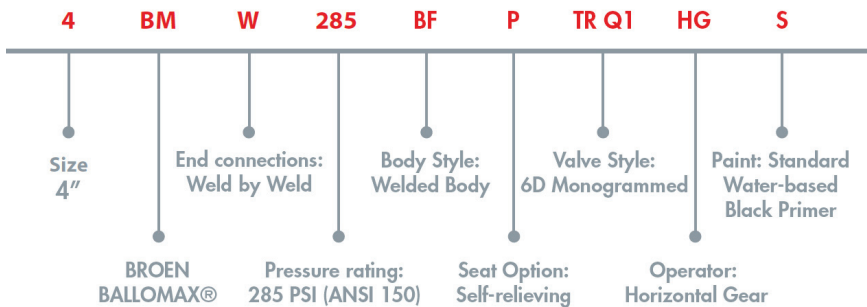
Valve modifications available at our shop in Houston, Texas include:

- Specialty coatings
- Stem extensions
- Valves with special length and extended pups
- Valves with gears, actuators, limit switches, etc.

Please contact us for any valve needs you may have.

State-of-the-art ball valves
for natural gas distribution

CATALOG NUMBERING SYSTEM



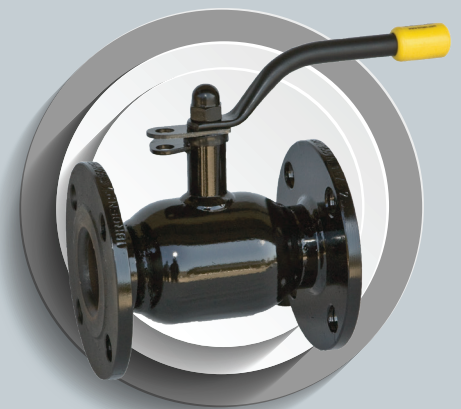
| | | |
|---------------------------------|--------------------|---------------------------------|
| 1. Size [inch] | 5. Valve style | 9. Operator |
| 2. BROEN BALLOMAX® (BM) | PL (Pipeline) | 25 (curb nut) |
| 3. End configuration | PR (Premium) | 14 (2" nut) |
| W (weld end) | UV (Utility) | HG (horizontal gear) |
| F (flanged end) | 7. Port | VG (vertical gear) |
| WF (weld x flange) | RP (regular port) | 10. Paint |
| HT (hot tap) | FP (full port) | S (standard water-based primer) |
| FT (female thread) | 8. Ball | 3M (3M 323) |
| WM (weld x MPT thread) | CB (concave ball) | B (coal tar enamel) |
| 4. Pressure [PSI] 285, 500, 740 | SB (straight ball) | |



PIPELINE



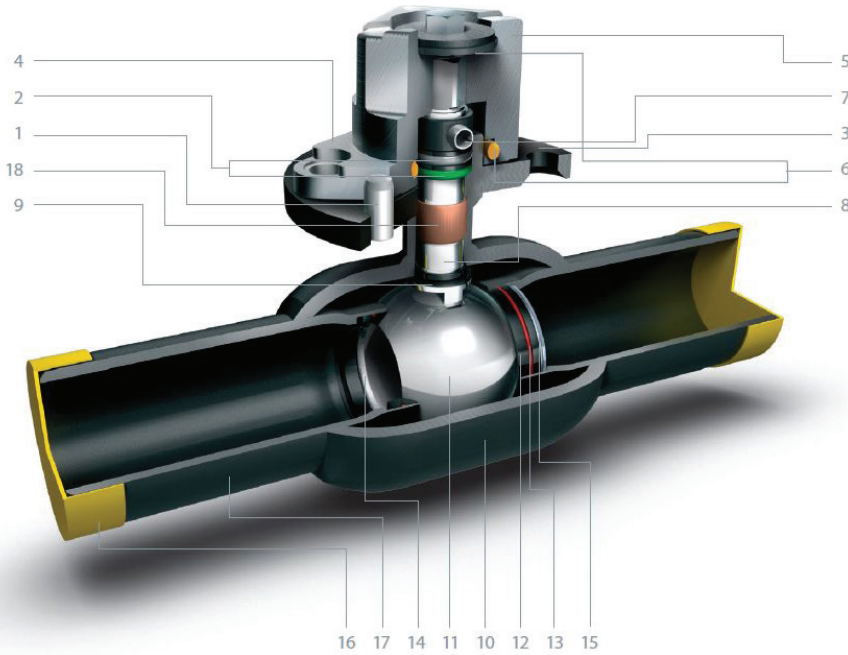
PREMIUM



UTILITY

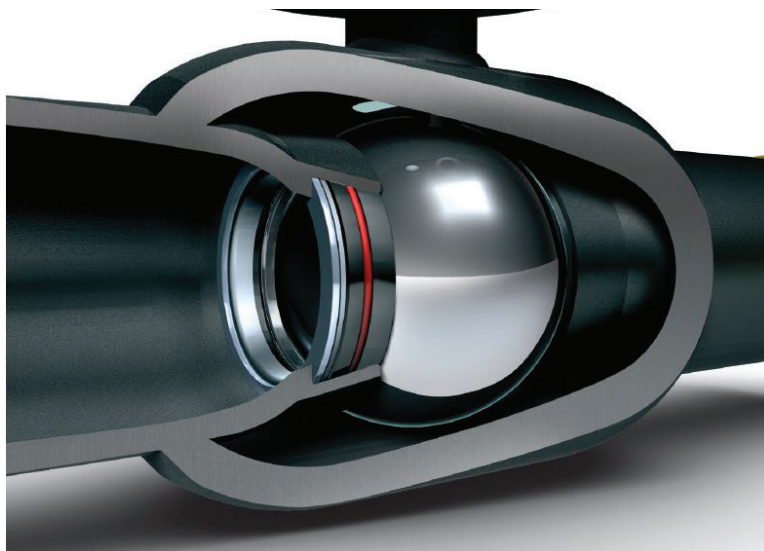
BROEN reserves the right to change any information included in this catalog without notice.

COMPONENTS AND MATERIALS



1. Powerstop (heat treated steel)
2. Stem seals (Viton Buna N and NBR)
3. Lock wing flange
4. Stainless steel stamped label
5. 2" square nut w/lock wing
6. Weather seal (Buna N gasket)
7. Steel travel stop pin
8. Stainless steel stem
9. Body stem friction washer
10. Carbon steel pipe body
11. Stainless steel ball
12. Seat ring (Teflon/PTFE)
13. Seat o-ring (Buna N o-rings)
14. Seat support ring
15. Stainless steel Belleville® spring
16. Protective end cap
17. Carbon steel (A 106 Gr. B) end connections
18. Stem bearing (zinc coated)

SEAT SPECIFICATION



SEAT QUALITY FEATURES

- Does not absorb water and does not expand
- Chemical resistant
- High friction characteristics
- Good temperature stability
- Tested and approved up to 482°F

SEAT SPECIFICATION

The base material: PTFE powder
 Type of material: G453
 Particle size: 60 micron part
 Size of filler: 40 micron
 Type of filler: Carbon
 Mix: PTFE +20% carbon
 tolerance of content: ±5%

BROEN reserves the right to change any information included in this catalog without notice.

PIPELINE

The BROEN best-seller with endless configurations to fit most requirements

TO BE WELDED 2 PLACES
180° APART
WELD: .12", 1/2" LONG.

Fully welded, carbon steel, regular port floating ball valves, designed specifically for natural gas.

Manufactured from the same pipe material as your pipeline, they can be used in below ground or above ground applications.

These valves feature:

- Stainless steel balls and stem standard
- Quarter-turn operations
- Locking plate with POWERSTOPS™ 600 ft/lbs
- Seats of 25% carbonized PTFE (Teflon™) (G-453) rated to -20°F
- Zinc coated stem bearings
- Tested per API-6D requirements
- Serial numbered for full traceability

Ø 6.00"

3/8"

Ø 1.93"

100597

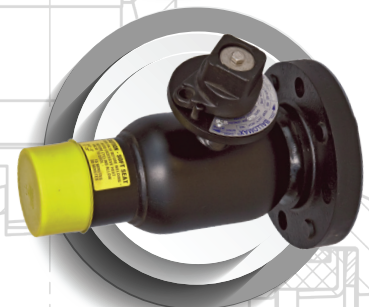
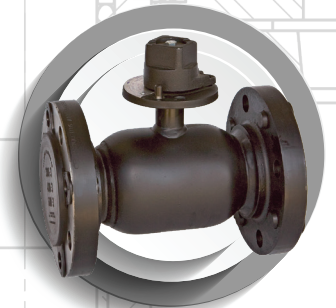
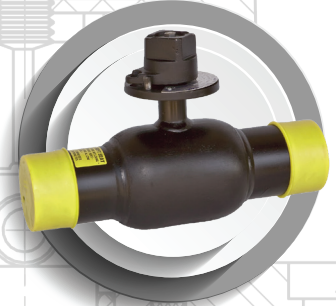
406131

406132

552602

100594

406133



9102065A

BROEN reserves the right to change any information included in this catalog without notice.

PIPELINE

REGULAR PORT

| WELD X WELD – 285 PSI – ANSI 150 | | | | | |
|----------------------------------|--------------------|------|--------|-------|--------|
| Size | Catalog number | Port | Length | Wall | Weight |
| 3/4" ⁽¹⁾ | 3/4BMW285PLRPSB25S | 0.59 | 9.02 | 0.113 | 3 |
| 3/4" | 3/4BMW285PLRPSB14S | 0.59 | 9.02 | 0.113 | 5 |
| 1" ⁽¹⁾ | 1BMW285PLRPSB25S | 0.79 | 9.06 | 0.133 | 4 |
| 1" | 1BMW285PLRPSB14S | 0.79 | 9.06 | 0.133 | 6 |
| 1-1/4" | 5/4BMW285PLRPSB14S | 1.00 | 10.24 | 0.140 | 7 |
| 2" | 2BMW285PLRPCB14S | 1.54 | 11.81 | 0.154 | 10 |
| 3" | 3BMW285PLRPCB14S | 2.48 | 14.60 | 0.216 | 18 |
| 4" | 4BMW285PLRPCB14S | 3.07 | 15.35 | 0.237 | 25 |
| 6" | 6BMW285PLRPCB14S | 4.90 | 15.35 | 0.280 | 56 |
| 8" ⁽²⁾ | 8BMW285PLRPCB14S | 5.75 | 15.35 | 0.322 | 131 |
| 8" ⁽³⁾ | 8BMW285PLRPCBHGS | 5.75 | 15.35 | 0.322 | 161 |

| WELD X FLANGE – 285 PSI – ANSI 150 | | | | | |
|------------------------------------|-------------------|------|--------|-------|--------|
| Size | Catalog number | Port | Length | Wall | Weight |
| 2" | 2BMWF285PLRPCB14S | 1.54 | 9.50 | 0.154 | 16 |
| 3" | 3BMWF285PLRPCB14S | 2.48 | 12.20 | 0.216 | 26 |
| 4" | 4BMWF285PLRPCB14S | 3.07 | 13.11 | 0.237 | 35 |
| 6" | 6BMWF285PLRPCB14S | 4.90 | 13.68 | 0.280 | 77 |
| 8" ⁽²⁾ | 8BMWF285PLRPCB14S | 5.75 | 15.90 | 0.322 | 140 |
| 8" ⁽³⁾ | 8BMWF285PLRPCBHGS | 5.75 | 15.90 | 0.322 | 170 |

| FLANGE X FLANGE – 285 PSI – ANSI 150 | | | | | |
|--------------------------------------|------------------|------|--------|------|--------|
| Size | Catalog number | Port | Length | ANSI | Weight |
| 2" | 2BMF285PLRPCB14S | 1.54 | 7.00 | 150 | 18 |
| 3" | 3BMF285PLRPCB14S | 2.48 | 8.00 | 150 | 31 |
| 4" | 4BMF285PLRPCB14S | 3.07 | 9.00 | 150 | 43 |
| 6" | 6BMF285PLRPCB14S | 4.90 | 10.50 | 150 | 81 |
| 8" ⁽²⁾ | 8BMF285PLRPCB14S | 5.75 | 11.50 | 150 | 158 |
| 8" ⁽³⁾ | 8BMF285PLRPCBHGS | 5.75 | 11.50 | 150 | 188 |

Dimensions listed in inch and pound

BROEN reserves the right to change any information included in this catalog without notice.

| WELD X WELD – 740 PSI – ANSI 300 | | | | | |
|----------------------------------|--------------------|------|--------|-------|--------|
| Size | Catalog number | Port | Length | Wall | Weight |
| 3/4" | 3/4BMW740PLRPSB25S | 0.59 | 9.02 | 0.113 | 3 |
| 3/4" | 3/4BMW740PLRPSB14S | 0.59 | 9.02 | 0.113 | 5 |
| 1" | 1BMW740PLRPSB25S | 0.79 | 9.06 | 0.133 | 4 |
| 1" | 1BMW740PLRPSB14S | 0.79 | 9.06 | 0.133 | 6 |
| 1-1/4" | 5/4BMW740PLRPSB14S | 1.00 | 10.24 | 0.140 | 8 |
| 2" | 2BMW740PLRPCB14S | 1.54 | 11.81 | 0.154 | 13 |
| 3" | 3BMW740PLRPCB14S | 2.48 | 14.57 | 0.216 | 25 |
| 4" | 4BMW740PLRPCB14S | 3.07 | 15.35 | 0.237 | 35 |
| 6" | 6BMW740PLRPCB14S | 4.90 | 15.35 | 0.280 | 70 |
| 8" ⁽²⁾ | 8BMW740PLRPCB14S | 5.75 | 15.40 | 0.322 | 131 |
| 8" ⁽³⁾ | 8BMW740PLRPCBHGS | 5.75 | 15.40 | 0.322 | 161 |

| WELD X FLANGE – 740 PSI – ANSI 300 | | | | | |
|------------------------------------|-------------------|------|--------|-------|--------|
| Size | Catalog number | Port | Length | Wall | Weight |
| 2" | 2BMWF740PLRPCB14S | 1.54 | 10.16 | 0.154 | 19 |
| 3" | 3BMWF740PLRPCB14S | 2.48 | 12.85 | 0.216 | 38 |
| 4" | 4BMWF740PLRPCB14S | 3.07 | 13.68 | 0.237 | 56 |
| 6" | 6BMWF740PLRPCB14S | 4.90 | 15.61 | 0.280 | 104 |
| 8" ⁽²⁾ | 8BMWF740PLRPCB14S | 5.75 | 15.90 | 0.322 | 189 |
| 8" ⁽³⁾ | 8BMWF740PLRPCBHGS | 5.75 | 15.90 | 0.322 | 217 |

| FLANGE X FLANGE – 740 PSI – ANSI 300 | | | | | |
|--------------------------------------|------------------|------|--------|------|--------|
| Size | Catalog number | Port | Length | ANSI | Weight |
| 2" | 2BMF740PLRPCB14S | 1.54 | 8.50 | 300 | 25 |
| 3" | 3BMF740PLRPCB14S | 2.48 | 11.13 | 300 | 50 |
| 4" | 4BMF740PLRPCB14S | 3.07 | 12.00 | 300 | 75 |
| 6" | 6BMF740PLRPCB14S | 4.90 | 15.87 | 300 | 139 |
| 8" ⁽²⁾ | 8BMF740PLRPCB14S | 5.75 | 16.50 | 300 | 247 |
| 8" ⁽³⁾ | 8BMF740PLRPCBHGS | 5.75 | 16.50 | 300 | 277 |

- ⁽¹⁾ curb nut
- ⁽²⁾ w/nut
- ⁽³⁾ Standard with horizontal gear operator

PIPELINE

FULL PORT CONCAVE BALL

PIPELINE

FULL PORT STRAIGHT BALL

| WELD X WELD – 285 PSI – ANSI 150 | | | | | |
|----------------------------------|------------------|------|--------|-------|--------|
| Size | Catalog number | Port | Length | Wall | Weight |
| 2" | 2BMW285PLFPCB14S | 1.93 | 11.81 | 0.154 | 13 |
| 4" | 4BMW285PLFPCB14S | 3.86 | 15.35 | 0.237 | 35 |
| 6" | 6BMW285PLFPCB14S | 5.75 | 15.88 | 0.280 | 110 |

| WELD X WELD – 285 PSI – ANSI 150 | | | | | |
|----------------------------------|------------------|------|--------|-------|--------|
| Size | Catalog number | Port | Length | Wall | Weight |
| 2" | 2BMW285PLFPSB14S | 1.93 | 11.81 | 0.154 | 14 |
| 4" | 4BMW285PLFPSB14S | 3.86 | 15.35 | 0.237 | 37 |
| 6" | 6BMW285PLFPSB14S | 5.75 | 15.88 | 0.280 | 117 |

| WELD X FLANGE – 285 PSI – ANSI 150 | | | | | |
|------------------------------------|-------------------|------|--------|-------|--------|
| Size | Catalog number | Port | Length | Wall | Weight |
| 2" | 2BMWF285PLFPCB14S | 1.93 | 10.16 | 0.154 | 17 |
| 4" | 4BMWF285PLFPCB14S | 3.86 | 13.10 | 0.237 | 44 |
| 6" | 6BMWF285PLFPCB14S | 5.75 | 15.88 | 0.280 | 120 |

| WELD X FLANGE – 285 PSI – ANSI 150 | | | | | |
|------------------------------------|-------------------|------|--------|-------|--------|
| Size | Catalog number | Port | Length | Wall | Weight |
| 2" | 2BMWF285PLFPSB14S | 1.93 | 10.16 | 0.154 | 19 |
| 4" | 4BMWF285PLFPSB14S | 3.86 | 13.1 | 0.237 | 47 |
| 6" | 6BMWF285PLFPSB14S | 5.75 | 15.88 | 0.280 | 130 |

| FLANGE X FLANGE – 285 PSI – ANSI 150 | | | | | |
|--------------------------------------|------------------|------|--------|------|--------|
| Size | Catalog number | Port | Length | ANSI | Weight |
| 2" | 2BMF285PLFPCB14S | 1.93 | 8.50 | 150 | 22 |
| 4" | 4BMF285PLFPCB14S | 3.86 | 12.00 | 150 | 57 |
| 6" | 6BMF285PLFPCB14S | 5.75 | 15.88 | 150 | 130 |

| FLANGE X FLANGE – 285 PSI – ANSI 150 | | | | | |
|--------------------------------------|------------------|------|--------|------|--------|
| Size | Catalog number | Port | Length | ANSI | Weight |
| 2" | 2BMF285PLFPSB14S | 1.93 | 8.50 | 150 | 24 |
| 4" | 4BMF285PLFPSB14S | 3.86 | 12.00 | 150 | 62 |
| 6" | 6BMF285PLFPSB14S | 5.75 | 15.88 | 150 | 150 |

| WELD X WELD – 740 PSI – ANSI 300 | | | | | |
|----------------------------------|------------------|------|--------|-------|--------|
| Size | Catalog number | Port | Length | Wall | Weight |
| 2" | 2BMW740PLFPCB14S | 1.93 | 11.81 | 0.154 | 13 |
| 4" | 4BMW740PLFPCB14S | 3.86 | 15.35 | 0.237 | 35 |
| 6" | 6BMW740PLFPCB14S | 5.75 | 15.88 | 0.280 | 110 |

| WELD X WELD – 740 PSI – ANSI 300 | | | | | |
|----------------------------------|------------------|------|--------|-------|--------|
| Size | Catalog number | Port | Length | Wall | Weight |
| 2" | 2BMW740PLFPSB14S | 1.93 | 11.81 | 0.154 | 14 |
| 4" | 4BMW740PLFPSB14S | 3.86 | 15.35 | 0.237 | 37 |
| 6" | 6BMW740PLFPSB14S | 5.75 | 15.88 | 0.280 | 117 |

| WELD X FLANGE – 740 PSI – ANSI 300 | | | | | |
|------------------------------------|-------------------|------|--------|-------|--------|
| Size | Catalog number | Port | Length | Wall | Weight |
| 2" | 2BMWF740PLFPCB14S | 1.93 | 10.16 | 0.154 | 19 |
| 4" | 4BMWF740PLFPCB14S | 3.86 | 13.10 | 0.237 | 55 |
| 6" | 6BMWF740PLFPCB14S | 5.75 | 15.88 | 0.280 | 147 |

| WELD X FLANGE – 740 PSI – ANSI 300 | | | | | |
|------------------------------------|-------------------|------|--------|-------|--------|
| Size | Catalog number | Port | Length | Wall | Weight |
| 2" | 2BMWF740PLFPSB14S | 1.93 | 10.16 | 0.154 | 21 |
| 4" | 4BMWF740PLFPSB14S | 3.86 | 13.10 | 0.237 | 58 |
| 6" | 6BMWF740PLFPSB14S | 5.75 | 15.88 | 0.280 | 155 |

| FLANGE X FLANGE – 740 PSI – ANSI 300 | | | | | |
|--------------------------------------|------------------|------|--------|------|--------|
| Size | Catalog number | Port | Length | ANSI | Weight |
| 2" | 2BMF740PLFPCB14S | 1.93 | 8.50 | 300 | 26 |
| 4" | 4BMF740PLFPCB14S | 3.86 | 12.00 | 300 | 75 |
| 6" | 6BMF740PLFPCB14S | 5.75 | 15.88 | 300 | 180 |

| FLANGE X FLANGE – 740 PSI – ANSI 300 | | | | | |
|--------------------------------------|------------------|------|--------|------|--------|
| Size | Catalog number | Port | Length | ANSI | Weight |
| 2" | 2BMF740PLFPSB14S | 1.93 | 8.50 | 300 | 28 |
| 4" | 4BMF740PLFPSB14S | 3.86 | 12.00 | 300 | 79 |
| 6" | 6BMF740PLFPSB14S | 5.75 | 15.88 | 300 | 192 |

Dimensions listed in inch and pound

BROEN reserves the right to change any information included in this catalog without notice.

PIPELINE

FEMALE THREADED END



Valve with 2" operating nut

PIPELINE

WELD BY MALE THREADED END

FOR FLANGE MACHINING



Valve with curb nut

FEMALE THREADED END – 285 PSI – ANSI 150

| Size | Catalog number | Port | Length | MAOP | Weight |
|------|-------------------|------|--------|------|--------|
| 2" | 2BMFT285PLRPCB14S | 1.57 | 6.50 | 285 | 11 |
| 3" | 3BMFT285PLRPCB14S | 2.48 | 8.13 | 285 | 18 |
| 4" | 4BMFT285PLRPCB14S | 3.10 | 9.37 | 285 | 29 |

FEMALE THREADED END - 500 PSI

| Size | Catalog number | Port | Length | MAOP | Weight |
|------|-------------------|------|--------|------|--------|
| 2" | 2BMFT500PLRPCB14S | 1.57 | 6.50 | 500 | 11 |
| 3" | 3BMFT500PLRPCB14S | 2.48 | 8.13 | 500 | 17 |
| 4" | 4BMFT500PLRPCB14S | 3.10 | 9.37 | 500 | 29 |

FEMALE THREADED END – 740 PSI – ANSI 300

| Size | Catalog number | Port | Length | MAOP | Weight |
|------|-------------------|------|--------|------|--------|
| 2" | 2BMFT740PLRPCB14S | 1.57 | 6.50 | 740 | 11 |

Dimensions listed in inch and pound

WELD X MPT THREAD – 285 PSI – ANSI 150

| Size | Catalog number | Port | Length | Wall | Weight |
|---------------------|---------------------|------|--------|-------|--------|
| 3/4" ⁽¹⁾ | 3/4BMWM285PLRPSB25S | 0.59 | 9.02 | 0.113 | 3 |
| 3/4" | 3/4BMWM285PLRPSB14S | 0.59 | 9.02 | 0.113 | 5 |
| 1" ⁽¹⁾ | 1BMWM285PLRPSB25S | 0.79 | 9.06 | 0.133 | 4 |
| 1" | 1BMWM285PLRPSB14S | 0.79 | 9.06 | 0.130 | 6 |
| 1-1/4" | 5/4BMWM285PLRPCB14S | 1.00 | 10.24 | 0.140 | 7 |
| 2" | 2BMWM285PLRPCB14S | 1.54 | 11.81 | 0.154 | 11 |

WELD X MPT THREAD - 740 PSI - ANSI 300

| Size | Catalog number | Port | Length | Wall | Weight |
|---------------------|---------------------|------|--------|-------|--------|
| 3/4" ⁽¹⁾ | 3/4BMWM740PLRPSB25S | 0.59 | 9.02 | 0.113 | 3 |
| 3/4" | 3/4BMWM740PLRPSB14S | 0.59 | 9.02 | 0.113 | 5 |
| 1" ⁽¹⁾ | 1BMWM740PLRPSB25S | 0.79 | 9.06 | 0.133 | 4 |
| 1" | 1BMWM740PLRPSB14S | 0.79 | 9.06 | 0.130 | 6 |
| 1-1/4" | 5/4BMWM740PLRPCB14S | 1.00 | 10.24 | 0.140 | 7 |
| 2" | 2BMWM740PLRPCB14S | 1.54 | 11.81 | 0.154 | 11 |

⁽¹⁾ curb nut

BROEN reserves the right to change any information included in this catalog without notice.

PREMIUM FULL PORT FLOATING BALL VALVE

High-end valve made with extra-strong forged components. Short-pattern design is ideal for metering and regulating stations.

TO BE WELDED 2 PLACES
100 FAR APART
WELD: .12", 1/2" LONG.

Manufactured from high strength machined carbon steel material, they can be used in below ground or above ground applications.

These valves feature:

- Stainless steel balls and stem standard
- Quarter-turn operations
- Locking plate with POWERSTOPS™ 600 ft/lbs
- Seats of 25% carbonized PTFE (Teflon™) (G-453) rated to -20°F
- Zinc coated stem bearings
- Tested per API-6D requirements
- Serial numbered for full traceability

100597

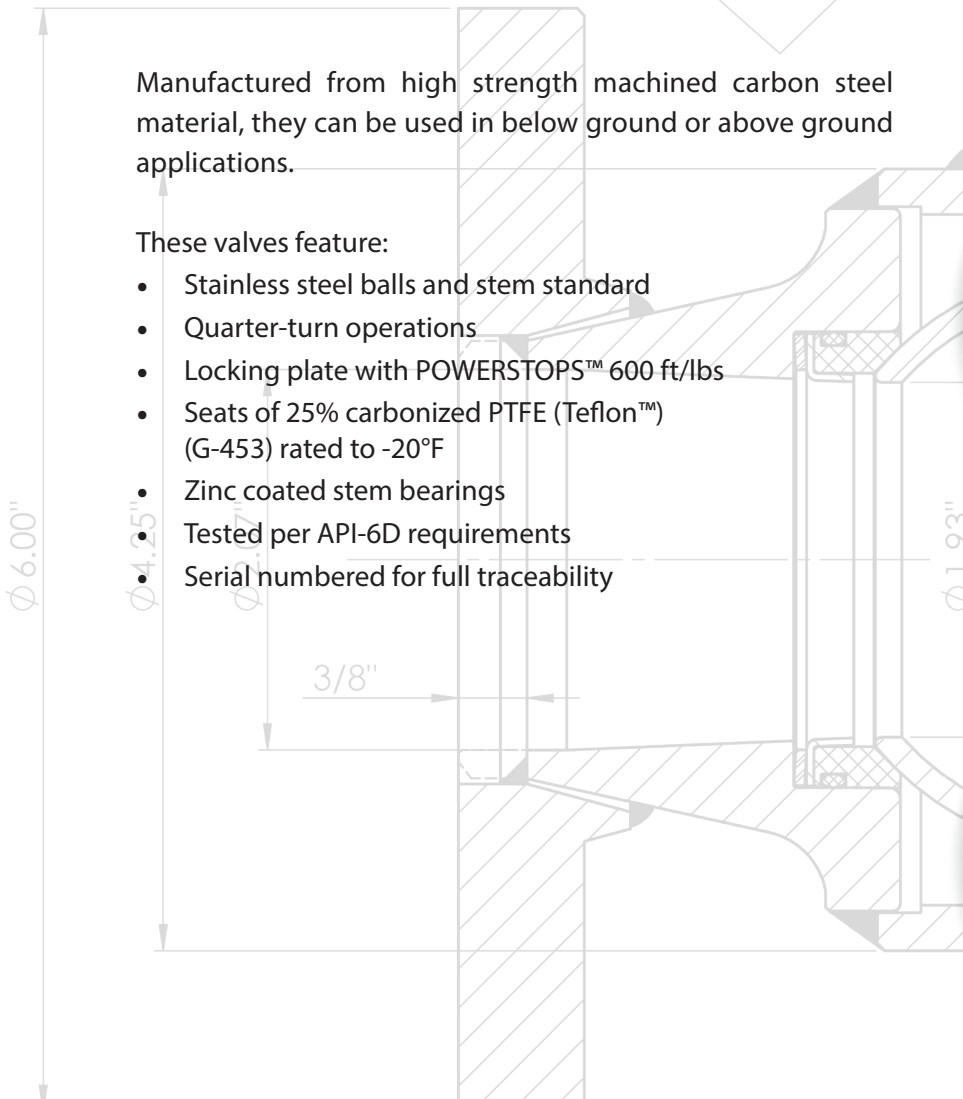
406131

406132

552602

100594

406243



69102065A

BROEN reserves the right to change any information included in this catalog without notice.

| WELD X WELD – 285 PSI – ANSI 150 | | | | | |
|----------------------------------|------------------|------|--------|-------|--------|
| Size | Catalog number | Port | Length | Wall | Weight |
| 2" | 2BMW285PRFPCB14S | 1.93 | 7.00 | 0.154 | 13 |
| 3" | 3BMW285PRFPCB14S | 3.07 | 9.00 | 0.216 | 23 |
| 4" | 4BMW285PRFPCB14S | 3.86 | 9.75 | 0.237 | 35 |
| 6" | 6BMW285PRFPCB14S | 5.75 | 15.50 | 0.280 | 110 |
| 8" | 8BMW285BFPCBHGS | 7.87 | 20.50 | 0.322 | 236 |

| WELD X WELD – 740 PSI – ANSI 300 | | | | | |
|----------------------------------|------------------|------|--------|-------|--------|
| Size | Catalog number | Port | Length | Wall | Weight |
| 2" | 2BMW740PRFPCB14S | 1.93 | 7.00 | 0.154 | 13 |
| 3" | 3BMW740PRFPCB14S | 3.07 | 9.00 | 0.216 | 23 |
| 4" | 4BMW740PRFPCB14S | 3.86 | 9.75 | 0.237 | 35 |
| 6" | 6BMW740PRFPCB14S | 5.75 | 15.5 | 0.280 | 110 |

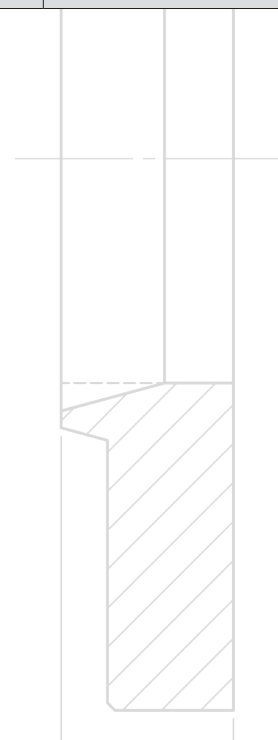
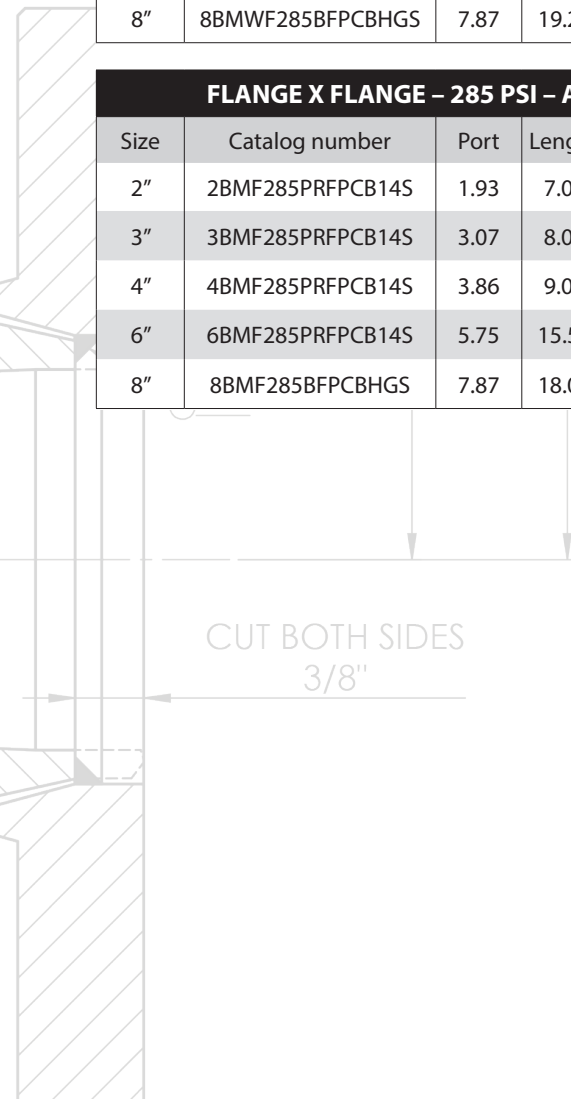
| WELD X FLANGE – 285 PSI – ANSI 150 | | | | | |
|------------------------------------|-------------------|------|--------|-------|--------|
| Size | Catalog number | Port | Length | Wall | Weight |
| 2" | 2BMWF285PRFPCB14S | 1.93 | 7.00 | 0.154 | 17 |
| 3" | 3BMWF285PRFPCB14S | 3.07 | 9.20 | 0.216 | 32 |
| 4" | 4BMWF285PRFPCB14S | 3.86 | 10.39 | 0.237 | 44 |
| 6" | 6BMWF285PRFPCB14S | 5.75 | 15.50 | 0.280 | 135 |
| 8" | 8BMWF285BFPCBHGS | 7.87 | 19.25 | 0.322 | 266 |

| WELD X FLANGE – 740 PSI – ANSI 300 | | | | | |
|------------------------------------|-------------------|------|--------|-------|--------|
| Size | Catalog number | Port | Length | Wall | Weight |
| 2" | 2BMWF740PRFPCB14S | 1.93 | 7.75 | 0.154 | 19 |
| 3" | 3BMWF740PRFPCB14S | 3.07 | 8.50 | 0.216 | 37 |
| 4" | 4BMWF740PRFPCB14S | 3.86 | 10.88 | 0.237 | 55 |
| 6" | 6BMWF740PRFPCB14S | 5.75 | 15.69 | 0.280 | 147 |

| FLANGE X FLANGE – 285 PSI – ANSI 150 | | | | | |
|--------------------------------------|------------------|------|--------|------|--------|
| Size | Catalog number | Port | Length | ANSI | Weight |
| 2" | 2BMF285PRFPCB14S | 1.93 | 7.00 | 150 | 22 |
| 3" | 3BMF285PRFPCB14S | 3.07 | 8.00 | 150 | 41 |
| 4" | 4BMF285PRFPCB14S | 3.86 | 9.00 | 150 | 57 |
| 6" | 6BMF285PRFPCB14S | 5.75 | 15.50 | 150 | 150 |
| 8" | 8BMF285BFPCBHGS | 7.87 | 18.00 | 150 | 296 |

| FLANGE X FLANGE – 740 PSI – ANSI 300 | | | | | |
|--------------------------------------|------------------|------|--------|------|--------|
| Size | Catalog number | Port | Length | ANSI | Weight |
| 2" | 2BMF740PRFPCB14S | 1.93 | 8.50 | 300 | 26 |
| 3" | 3BMF740PRFPCB14S | 3.07 | 11.13 | 300 | 50 |
| 4" | 4BMF740PRFPCB14S | 3.86 | 12.00 | 300 | 71 |
| 6" | 6BMF740PRFPCB14S | 5.75 | 15.88 | 300 | 180 |

Dimensions listed in inch and pound



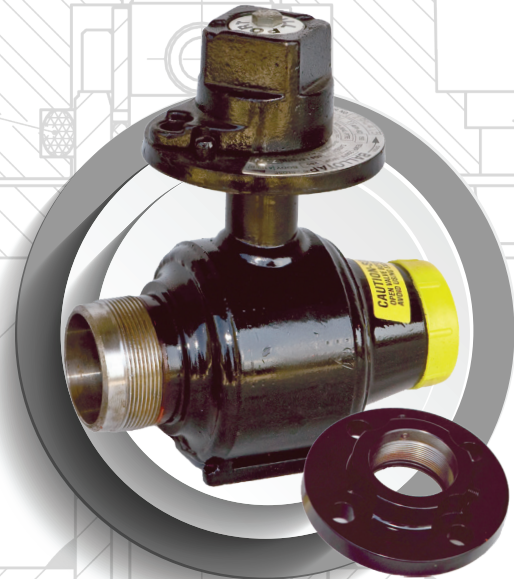
BROEN reserves the right to change any information included in this catalog without notice.

PREMIUM - BALLOTAP™ HOT TAPPING BALL VALVE

Fully welded, machined carbon steel full port ball valves designed with a weld end and a threaded end that accepts a special BALLOTAP™ threaded flange for use in tapping under pressure of natural gas pipelines.

Valve works with all common drilling and tapping machines currently on the market. O-ring seal in flange allows for pressure testing of weld prior to tapping:

- Stainless steel balls and stem standard
- 2" square nut operated
- Locking plate with POWERSTOPS™ to prevent over turning
- Seats of 25% carbonized PTFE (Teflon™) (G-453) rated to -20°F
- Zinc coated stem bearings
- Tested per API-6D requirements
- Serial numbered for full traceability
- Full port design



| BALLOTAP™ VALVES – 285 PSI – ANSI 150 | | | | | |
|---------------------------------------|-------------------|------|--------|-------|--------|
| Size | Catalog number | Port | Length | Wall | Weight |
| 2" | 2BMHT285PRFPCB14S | 1.93 | 7.00 | 0.154 | 13 |
| 4" | 4BMHT285PRFPCB14S | 3.86 | 10.39 | 0.237 | 33 |
| 6" | 6BMHT285PRFPCB14S | 5.75 | 15.50 | 0.280 | 110 |

| BALLOTAP™ – REMOVABLE FLANGES – 285 PSI – ANSI 150 | | | |
|----------------------------------------------------|----------------|------------|--------|
| Size | Catalog number | ANSI CLASS | Weight |
| 2" | 2F150BT | 150 | 5 |
| 4" | 4F150BT | 150 | 13 |
| 6" | 6F150BT | 150 | 19 |

| BALLOTAP™ VALVES – 740 PSI – ANSI 300 | | | | | |
|---------------------------------------|-------------------|------|--------|-------|--------|
| Size | Catalog number | Port | Length | Wall | Weight |
| 2" | 2BMHT740PRFPCB14S | 1.93 | 7.00 | 0.154 | 13 |
| 4" | 4BMHT740PRFPCB14S | 3.86 | 10.39 | 0.237 | 33 |
| 6" | 6BMHT740PRFPCB14S | 5.75 | 15.50 | 0.280 | 110 |

| BALLOTAP™ – REMOVABLE FLANGES – 740 PSI – ANSI 300 | | | |
|----------------------------------------------------|----------------|------|--------|
| Size | Catalog number | ANSI | Weight |
| 2" | 2F300BT | 300 | 7 |
| 4" | 4F300BT | 300 | 22 |
| 6" | 6F300BT | 300 | 39 |

Dimensions listed in inch and pound

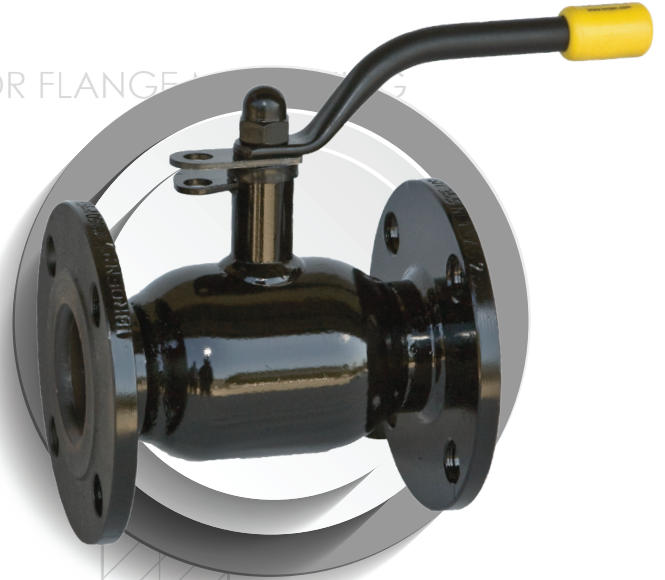
BROEN reserves the right to change any information included in this catalog without notice.

UTILITY

FLANGED BALL VALVES

Cost-effective short pattern flanged end ball valve. Ideal to replace plug and iron body valves.

FOR FLANGE



- Stainless steel balls and stem standard
- Wrench nut or lever handle operated
- Locking lugs
- Seats of 25% carbonized PTFE (Teflon™) (G-453) rated to -20°F
- Zinc coated stem bearings
- Tested per API-6D requirements
- Serial numbered for full traceability
- High strength boiler plate flanges drilled to ANSI 150 pattern

RAISED FACE

285 PSI – ANSI 150 – WITH WRENCH NUT

| Size | Catalog number | Port | Length | ANSI | Weight |
|------|------------------|------|--------|------|--------|
| 2" | 2BMF285UVRPCB03S | 1.54 | 7.00 | 150 | 11 |
| 3" | 3BMF285UVRPCB03S | 2.48 | 8.00 | 150 | 19 |
| 4" | 4BMF285UVRPCB03S | 3.07 | 9.00 | 150 | 33 |
| 6" | 6BMF285UVRPCB03S | 4.80 | 10.5 | 150 | 68 |

285 PSI – ANSI 150 – WITH HANDLE

| Size | Catalog number | Port | Length | ANSI | Weight |
|------|------------------|------|--------|------|--------|
| 2" | 2BMF285UVRPCB01S | 1.54 | 7.00 | 150 | 11 |
| 3" | 3BMF285UVRPCB01S | 2.48 | 8.00 | 150 | 19 |
| 4" | 4BMF285UVRPCB01S | 3.07 | 9.00 | 150 | 34 |
| 6" | 6BMF285UVRPCB01S | 4.80 | 10.5 | 150 | 72 |

FLAT FACE

285 PSI – ANSI 150 – WITH WRENCH NUT

| Size | Catalog number | Port | Length | ANSI | Weight |
|------|--------------------|------|--------|------|--------|
| 2" | 2BMF285UVRPCB03SFF | 1.54 | 7.00 | 150 | 11 |
| 3" | 3BMF285UVRPCB03SFF | 2.48 | 8.00 | 150 | 19 |
| 4" | 4BMF285UVRPCB03SFF | 3.07 | 9.00 | 150 | 32 |
| 6" | 6BMF285UVRPCB03SFF | 4.80 | 10.5 | 150 | 68 |

285 PSI – ANSI 150 – WITH HANDLE

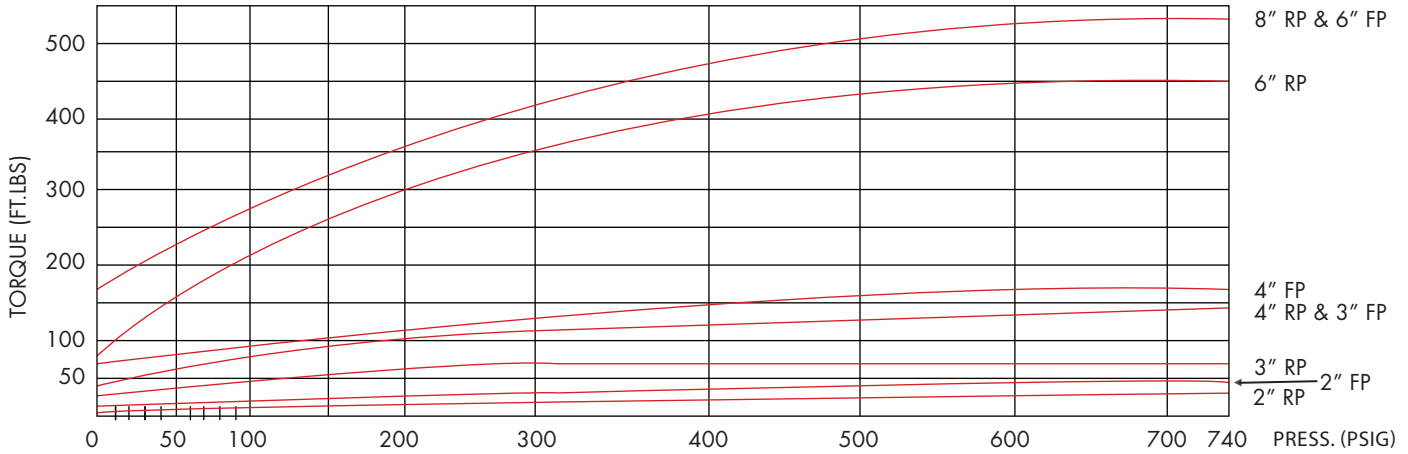
| Size | Catalog number | Port | Length | ANSI | Weight |
|------|--------------------|------|--------|------|--------|
| 2" | 2BMF285UVRPCB01SFF | 1.54 | 7.00 | 150 | 11 |
| 3" | 3BMF285UVRPCB01SFF | 2.48 | 8.00 | 150 | 19 |
| 4" | 4BMF285UVRPCB01SFF | 3.07 | 9.00 | 150 | 33 |
| 6" | 6BMF285UVRPCB01SFF | 4.80 | 10.5 | 150 | 71 |

BROEN reserves the right to change any information included in this catalog without notice.

Dimensions listed in inch and pound

TURNING TORQUE

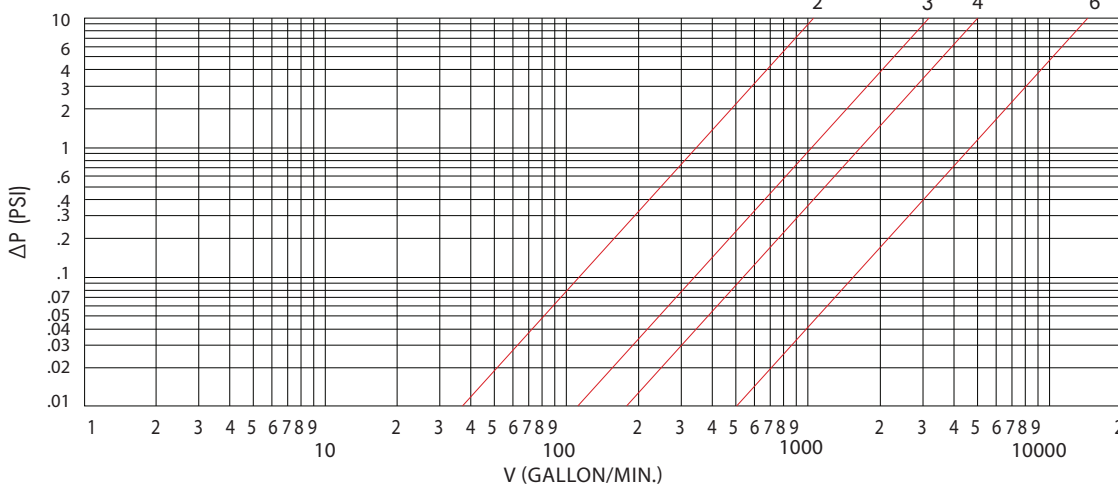
FOR 2" - 8" BROEN BALLOMAX® REDUCED PORT AND FULL PORT



The torque must be considered as a recommended torque. The torque is derived from measurements taken on newly produced valves. The torque is a break away torque for a closed, but just activated valve. It should be noted: For a valve, which has not been activated for a long period of time, the listed turning torques could be up to 1-1/2 times greater.

PRESSURE LOSS DIAGRAM

FULL PORT BROEN BALLOMAX® BALL VALVES



$$C_v = \frac{V}{\sqrt{\Delta P}}$$

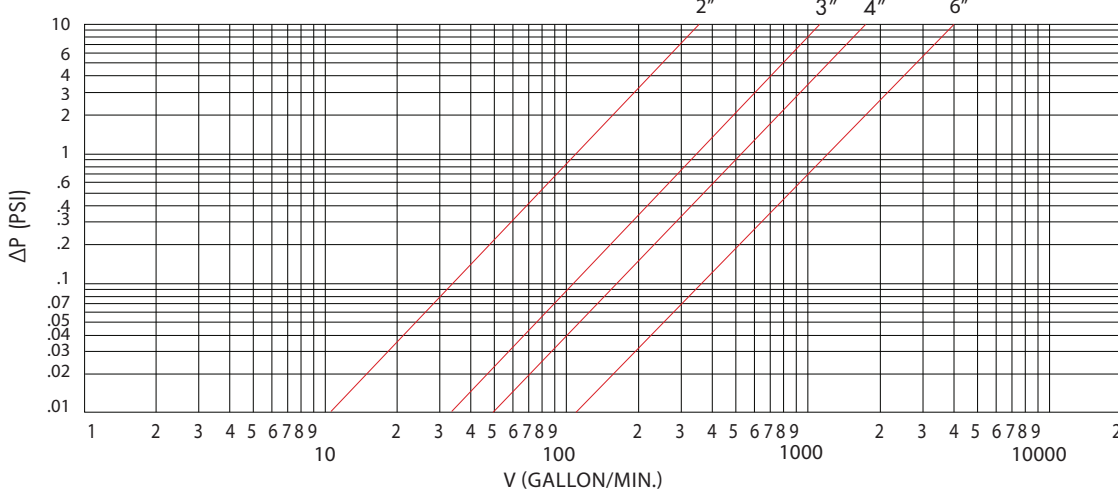
v = Flow rate in gallon/min
ΔP = Pressure drop in PSI

| Valve | 2" | 3" | 4" | 6" |
|-------|-----|------|------|------|
| Cv | 355 | 1100 | 1850 | 4825 |

MEDIUM:
Water with specific gravity of 1.

PRESSURE LOSS DIAGRAM

REGULAR PORT BROEN BALLOMAX® BALL VALVES



$$C_v = \frac{V}{\sqrt{\Delta P}}$$

v = Flow rate in gallon/min
ΔP = Pressure drop in PSI

| Valve | 2" | 3" | 4" | 6" |
|-------|-----|-----|-----|------|
| Cv | 116 | 324 | 520 | 1272 |

MEDIUM:
Water with specific gravity of 1.

BROEN reserves the right to change any information included in this catalog without notice.



BROEN

VALVE TECHNOLOGIES



CONTACT A BROEN REPRESENTATIVE TODAY

BROEN INC.

27657 Commerce Oaks Drive, Oak Ridge North, Texas, 77385 USA

+1 713.300.0480 | info@BROEN.com | www.BROEN.us

