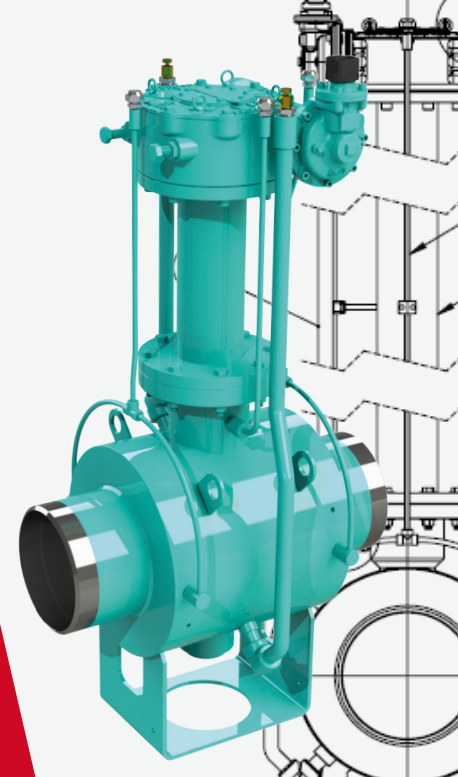
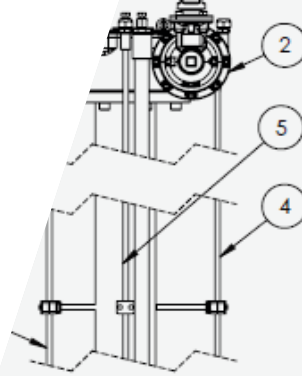


BROEN

VALVE TECHNOLOGIES



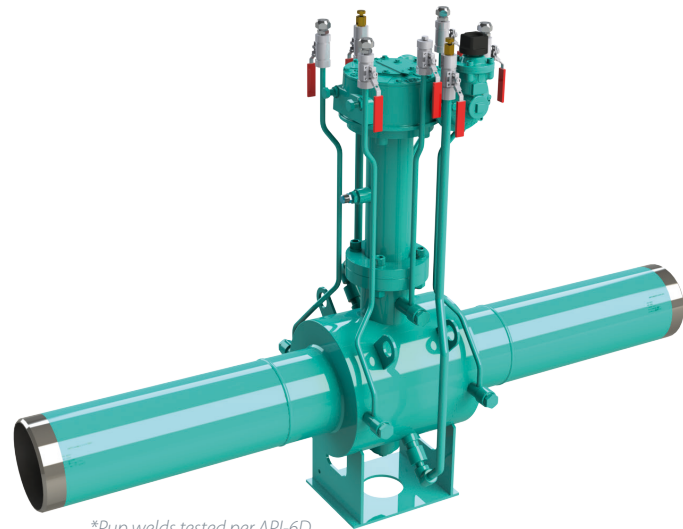
VALUE-ADDED MODIFICATIONS PROVIDE OUR CUSTOMERS WITH VIRTUALLY ENDLESS SOLUTIONS

At BROEN, we offer a wide variety of in-house valve modifications and value-added services to provide our Customers with virtually endless solutions.

We are always willing to use our engineering resources to create custom configurations to help achieve the needs of specific applications.

- Stem extensions
- Pinion shaft extensions
- Gearboxes
- Valve automation
- Special and standard coatings:
3M 323+, Carboline Bitumastic 300M,
Denso Protal 7200 and others
- Clustered extension lines for valve box
- Valves with special length/welded pups
- Special tests
- Drafting capabilities and 3D models available (SolidWorks)

Please contact your local BROEN representative for any value-added inquiries.



**Pup welds tested per API-6D*



WHO WE ARE

LARGE AND SMALL, HIGH OR LOW PRESSURE.
BROEN ALWAYS HAS THE VALVE YOU NEED

Founded in 1948, BROEN is a leading international manufacturer of valve technology

For more than 75 years, BROEN has been the leader in the development and production of valve technology for water, air and gas. Our goal is to build long-lasting and trust-based partnerships with our valued Customers through the local presence of our companies and our capillary sales and service network.

BROEN employs more than 600 employees in five manufacturing facilities worldwide, producing more than three million valves per year.




ISO 9001 certified since 2001, BROEN is committed to ensuring our Customers receive high-quality products that exceed expectations.

BROEN has a strong focus on innovation, continuously improving our product range to offer state-of-the-art solutions and technologies, including BROEN BALLOMAX®, the industry's best ball valves for natural gas service.

Key Information

-  Leading supplier for 70+ years
-  600 employees across 3 continents
-  Five factories in DK, PL, RU, USA
-  Yearly production 3+ million valves
-  150+ million USD yearly revenue

The BROEN BALLOMAX® Valves

-  Floating Ball Valves
-  Trunnion and API-6D Monogrammed Ball Valves
-  Polyethylene (PE) Valves